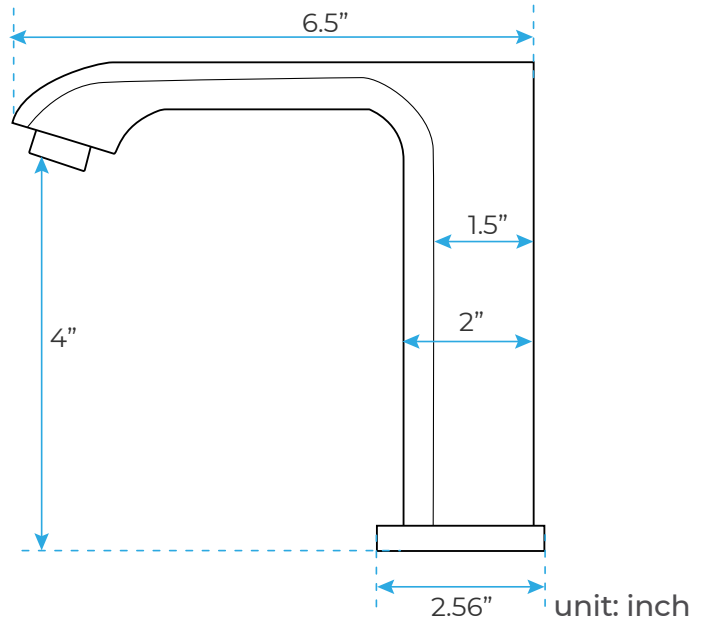


COMMERCIAL AUTOMATIC SENSOR HANDS FREE FAUCET BLACK FINISH SPECIFICATIONS



Size



Specs

Power: AC & DC 6V (batteries not included)

Water Consumption: 0.05Mpa-0.6Mpa

Detection Zone: 16-32 cm or adjustable

Motor valve lifespan: up to 500000 flushes

Battery lifespan: 100000 cycles

Static Power Consumption: 0.36mw

Working Power consumption: 0.5mw

Inductive Opening Time: < 1 second

Inductive Closing Time: < 2 second

Dia.of inlet / outlet pipe: G1/2"

Flux: $\geq 0.07L/S$

Power Supply: Box Transformer (BOX)

Temperature Mixer: Below Deck Manual Mixing Valve (BDM)

Factory Default Timeout: 30s

Factory Default GPC: 0.75

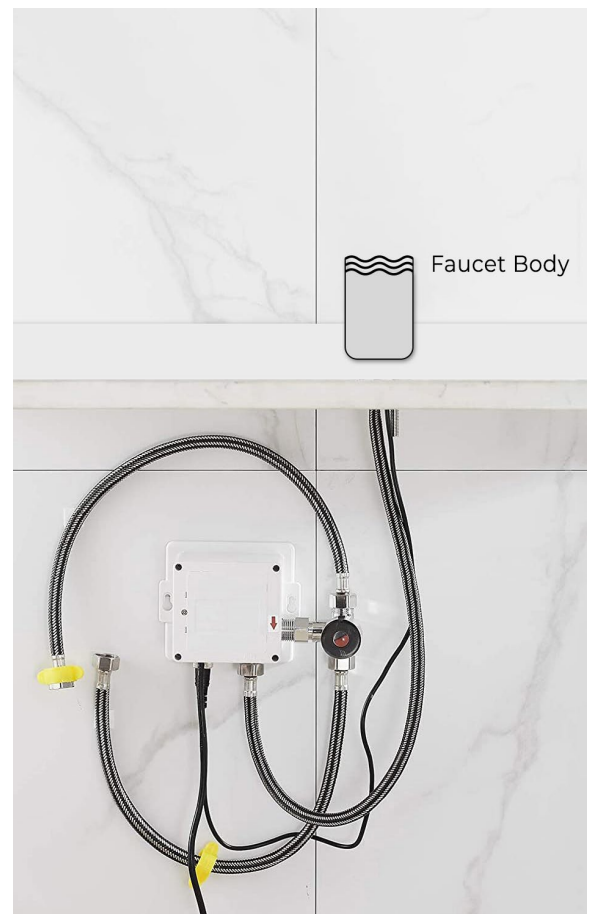
Working pressure: 0.05 - 1.6 Mpa

Water flow: 1.2GPM (4.54 L/Min) @ 60PSI

FEATURES

Commercial Grade Faucet, ADA Compliant, Cast Brass Spout, Quick Connect Fittings, Integrated Water Shut-off, Hygienic Line Flush, Water Usage and Battery Strength Reporting, Self-adapting Sensor

Overview



All dimensions and specifications are nominal and may vary. Use actual products for accuracy in critical situations.